

With wiper



## 5MP 44× Super Starlight IR POE AI PTZ Camera

### Camera

Image Sensor	1/2.8"CMOS
Min. Illumination	Color:0.008lux@ (F1.6,AGC ON)
Shutter Time	1s~1/100000s
Day&Night	IR-cut filter with auto switch (ICR)
Smart IR	Yes
WDR	<b>120dB</b>
S/N	<b>42dB</b>

### Lens

Focal Length	6mm~264mm
Optical Zoom	33X
Digital Zoom	16X
Zoom Speed	<5s
Aperture Range	F1.6~F5.3
Aperture Type	Auto(P-Iris)
Field of View	61.8°~2.3°(H); 36.3°~1.3°(V); 66.7°~2.8°(D)
Focus Control	Auto/Semi-auto/Manual
Close Focus Distance	100mm~3000mm
DORI Distance	Detect:1793m Observe:711m Recognize:358m Identify:179m

### Pan&Tilt

Pan Range	360°
Pan Speed	Manual Speed:0.1°~180°/s Preset Speed:240°/s
Tilt Range	-16°~90° (Default -3°~90°)
Tilt Speed	Manual Speed:0.1°~120°/s Preset:120°/s
3D Position	Yes
Preset	500
Cruise	16, up to 32 presets per cruise
Scan	8
Pattern	8, each with 600s memory or 1000 orders
Scheduled Task	Preset, Cruise, Scan, Pattern
North Point	Yes(Manual setting)
Power-off Memory	Yes

### Illuminator

IR LEDs	10
IR Distance	Up to 200m
Wavelength	850nm
IR Irradiation Angle	Yes



### Compression Standard

Video Compression	S+265/H.265/H.264/M-JPEG
Video Bit Rate	32 Kbps to 16 Mbps
Audio Compression	G.711A/G.711U/ADPCM/AAC
Audio Bit Rate	8K~48Kbps

### Image

Max. Resolution	3072×1728
Main Stream	PAL: 20fps (3072×1728), 25fps (2560×1440, 2304×1296), 50fps (1920×1080, 1280×960, 1280×720) NTSC: 20fps (3072×1728), 30fps (2560×1440, 2304×1296), 60fps (1920×1080, 1280×960, 1280×720)
Sub Stream	PAL: 25fps (704×576, 704×288, 640×360, 352×288) NTSC: 30fps (704×480, 704×240, 640×360, 352×240)
Third Stream	PAL: 25fps (352×288) NTSC: 30fps (352×240)
Image Setting	Saturation, brightness, contrast, sharpness, adjustable by client software or web browser
Image Enhancement	BLC/3D DNR/HLC
ROI	7 Dynamic Areas for Both Main and Sub Stream, support auto-tracking ROI
OSD	16×16, 24×24, 32×32, 48×48, 64×64, 96×96, adaptable size, Letters Such as Week, Date, Time, Total 5 Regions
Picture Overlay	Yes
Private Mask	Yes
Smart Defog	Yes

### Feature

Alarm Trigger	Harsh Voice Alarm, Motion Detection, Mask Alarm, Port Alarm, Network Disable Alarm, IP Conflict, MAC Conflict Detection
Video Analytics	Tripwire, Double Tripwire, Perimeter, Object Abandon, Object Lost, Loitering, Running, Parking, Face Detection, People Counting, Crowded, On Duty Detection, Video Abnormal, Audio Abnormal, Heatmap, Safety Helmet Detection
Early Warning(EW)	Yes
Auto-Tracking	Yes

### Face Detection and Analytics

Operating Mode	Face capture, intelligent monitoring optional, default face capture
Face Detection Performance	Detects up to 16 faces at the same scene
Face Exposure Brightness	Default 35, 1-100 brightness optional
Min. Face Pixel	Default 80, 19-1920 optional
Face Recognition	N/A
Face Library	N/A
Face Pictures	N/A
Face Library Management	N/A
Face Recognition Alert	N/A
Precautionary Alert	Three level



## Network

Protocols	TCP/IP, ICMP, HTTP, HTTPS, DHCP, DNS, DDNS, MULTICAST, UPnP, FTP, IPV4, NTP, RTSP, SMTP, IGMP, QoS, PPPoE
System Compatibility	ONVIF (PROFILE S), SDK, CGI, P2P
ANR	Auto store video in SD card when NVR disconnected, and upload video to NVR when resumed connection (Only Support Tiandy ANR NVR)
Remote Connection	≤7
Client	Easy7, EasyLive
Web Version	Web6

## Interface

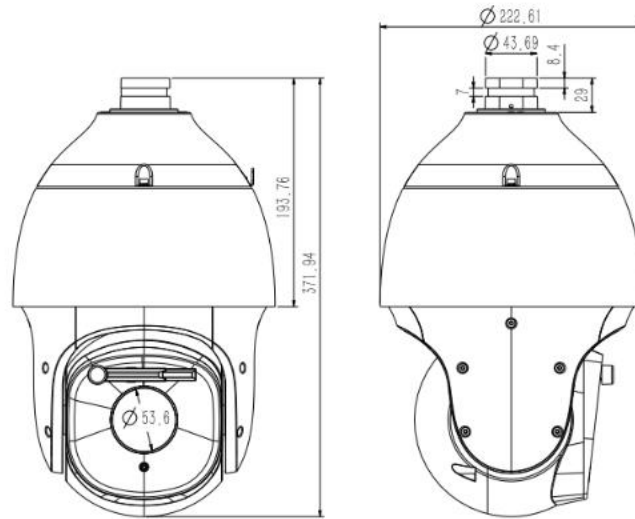
Communication Interface	1 RJ45 10M/100M self adaptive Ethernet port
Audio	1/1
Alarm	8/2
Reset Button	Yes
On-board storage	Built-in MicroSD card slot, up to 128 GB
RS-485	Yes
BNC	Yes
Wiper	Yes

## General

Firmware Version	NVSS_V20.3.1.20190612
Web Client Language	12 languages: English, Russian, Spanish, Korean, Italian, Turkish, Simple Chinese, Traditional Chinese, Thai, French, Polish, Dutch
Operating Conditions	-30°~65°C, 0-95% RH
Power Supply	AC24V±15%
Power Consumption	22W (IR OFF), 45W (IR ON)
Protection	IP66
Heater	N/A
Dimensions	Φ222x372 mm (Φ8.74×14.65 inch)
Weight	5.5kg (12.13lb)



**Dimensions**



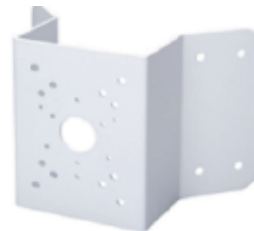
**Accessories**



DF20



811



A35



A38



DF21



A36



A37